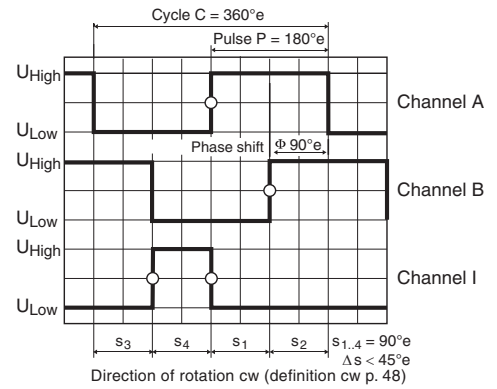


Encoder MR, Type ML, 128 - 1000 CPT, 3 Channels, with Line Driver



- Stock program
- Standard program
- Special program (on request)

Order Number

225771	225773	225778	225805	225780
--------	--------	--------	--------	--------

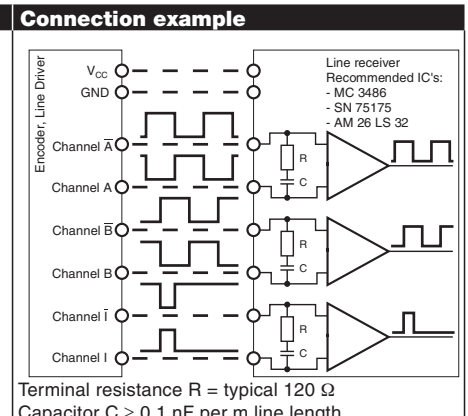
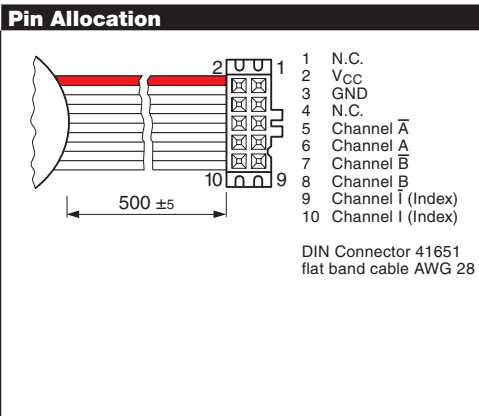
Type	128	256	500	512	1000
Counts per turn	128	256	500	512	1000
Number of channels	3	3	3	3	3
Max. operating frequency (kHz)	80	160	200	320	200
Max. speed (rpm)	37500	37500	24000	37500	12000



maxon Modular System

+ Motor	Page	+ Gearhead	Page	+ Brake	Page	Overall length [mm] / • see Gearhead				
RE 25	77/79					65.5	65.5	65.5	65.5	65.5
RE 25	77/79	GP 26, 0.5 - 2.0 Nm	228			•	•	•	•	•
RE 25	77/79	GP 32, 0.75 - 6.0 Nm	230-234			•	•	•	•	•
RE 25	77/79	KD 32	236			•	•	•	•	•
RE 25	77/79	GP 32 S	249-251			•	•	•	•	•
RE 25, 20 W	78					54.0	54.0	54.0	54.0	54.0
RE 25, 20 W	78	GP 26, 0.5 - 2.0 Nm	228			•	•	•	•	•
RE 25, 20 W	78	GP 32, 0.75 - 6.0 Nm	230-234			•	•	•	•	•
RE 25, 20 W	78	KD 32	236			•	•	•	•	•
RE 25, 20 W	78	GP 32 S	249-251			•	•	•	•	•
A-max 26	102-108					53.5	53.5	53.5	53.5	53.5
A-max 26	102-108	GP 26, 0.5 - 2.0 Nm	228			•	•	•	•	•
A-max 26	102-108	GS 30, 0.07 - 0.2 Nm	229			•	•	•	•	•
A-max 26	102-108	GP 32, 0.75 - 6.0 Nm	230-234			•	•	•	•	•
A-max 26	102-108	GS 38, 0.1 - 0.6 Nm	237			•	•	•	•	•
A-max 26	102-108	GP 32 S	249-251			•	•	•	•	•
RE-max 29	131-134					53.5	53.5	53.5	53.5	53.5
RE-max 29	131-134	GP 26, 0.5 - 2.0 Nm	228			•	•	•	•	•
RE-max 29	131-134	GP 32, 0.75 - 6.0 Nm	231-234			•	•	•	•	•
RE-max 29	131-134	GP 32 S	249-251			•	•	•	•	•
EC-max 30, 40 W	166							54.2		54.2
EC-max 30, 40 W	166	GP 32, 1 - 6 Nm	234			•	•	•	•	•
EC-max 30, 40 W	166	GP 32 S	249-251			•	•	•	•	•
EC-max 30, 60 W	166	GP 32, 4.0 - 8.0 Nm	235			•	•	•	•	•
EC-max 30, 60 W	167							76.2		76.2
EC-max 30, 60 W	167	GP 32, 8 Nm	235			•	•	•	•	•
EC-max 30, 60 W	167	GP 42, 3 - 15 Nm	239			•	•	•	•	•
EC-4pole 30	175							59.2		59.2
EC-4pole 30	175	GP 32, 4.0 - 8.0 Nm	235			•	•	•	•	•
EC-4pole 30	175	GP 42, 3 - 15 Nm	239			•	•	•	•	•
EC-4pole 30	176							76.2		76.2
EC-4pole 30	176	GP 32, 4.0 - 8.0 Nm	235			•	•	•	•	•
EC-4pole 30	176	GP 42, 3 - 15 Nm	239			•	•	•	•	•

Technical Data	
Supply voltage V_{CC}	$5V \pm 5\%$
Output signal	TTL compatible
Phase shift Φ	$90^\circ \pm 45^\circ$
Index pulse width	$90^\circ \pm 45^\circ$
Operating temperature rang	$-25 \dots +85^\circ C$
Moment of inertia of code wheel	$\leq 0.7 \text{ gcm}^2$
Output current per channel	max. 5 mA



The index signal I is synchronised with channel A or B.